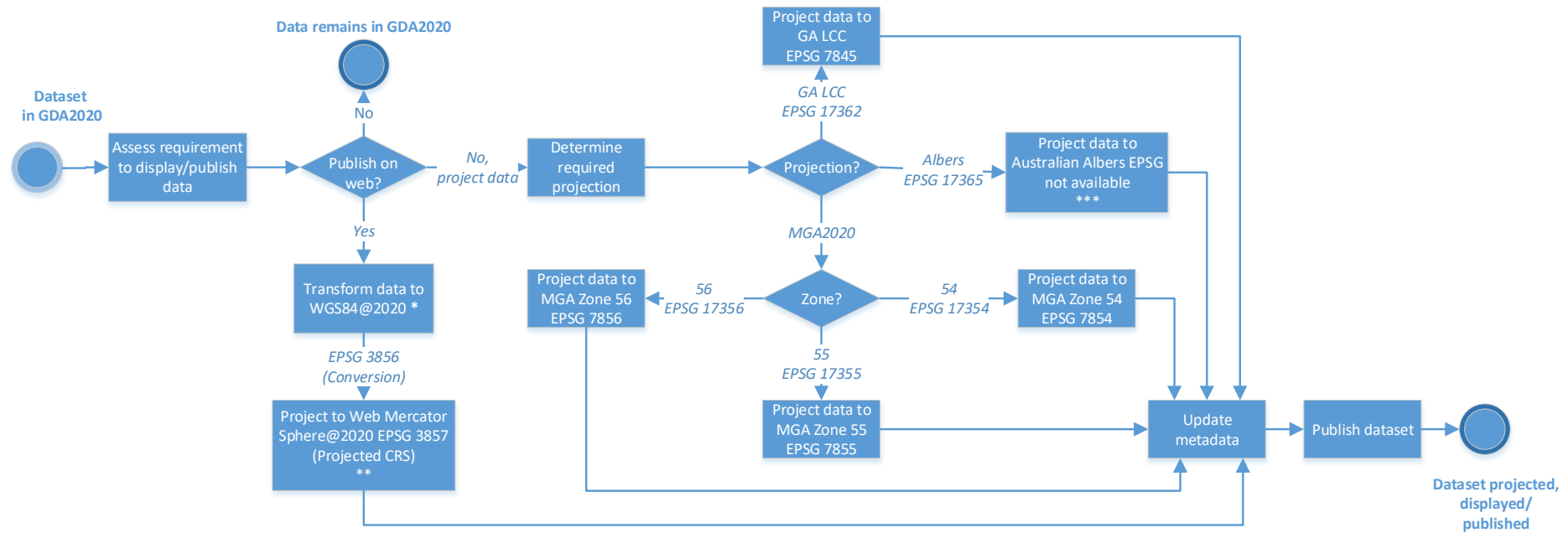




DISPLAY/ PUBLISH Data

This information may assist in preparing a dataset, which is in a GDA2020 datum, for publishing.

Display/ Publish Process



Notes

- * The EPSG 8450 code is a NULL transformation between GDA2020 and WGS84 (Generic). EPSG code 1150 is a NULL transformation between GDA94 and WGS84 (Generic). If these codes were to be used to combine GDA94 and GDA2020 data in WGS84 (Generic) before moving to Web-Mercator, data will not align correctly. ESRI have chosen not to implement EPSG code 8450, and instead have created a two-step process where GDA2020 data is first transformed to GDA94, and then to WGS84 (Generic). This process ensures GDA2020 and GDA94 data align on publication. The issue of using NULL transformations to move data to WGS84 (Generic), and then the further projection to Web Mercator is being actively discussed internationally.
- ** EPSG code 3857 projects data from a sphere based on WGS84 (Generic) to the Web Mercator projection used in online mapping. By the time this step is done, information on the source datum for data is often no longer retrievable unless stored in metadata accompanying the web mapping product.
- *** EPSG does not currently have a code representing an Albers projected CRS. When EPSG code become available the Albers conversion (EPSG: 17365) will be used to create the Albers projection from GDA2020.

For more information on implementing GDA2020 in Queensland please contact Matt Higgins, Department of Natural Resources, Mines & Energy, qldgda2020@dnrme.qld.gov.au or 07 3330 4481.

Published: October 2019