

LPG safety



Event:

Site/stall:

Name:

Event date:

Checklist for outdoor events

All gas installations must comply with relevant Australian standards. Non-portable gas appliances (even those installed outside or in temporary shelters) must be installed by a licensed gas fitter.

- | | |
|---|--|
| <input type="checkbox"/> Has all gas work been undertaken by a licensed gas fitter? | <input type="checkbox"/> Do you have clear access to the gas cylinder valve if you need to turn the gas supply off in an emergency? |
| <input type="checkbox"/> Have connection joints been tested with soapy water for gas leakages? | <input type="checkbox"/> Are supply hoses from cylinder to appliance in good condition (without kinks or abrasions)? |
| <input type="checkbox"/> Is there a suitable fire extinguisher available? | <input type="checkbox"/> Do the hoses pose a trip hazard? |
| <input type="checkbox"/> Are cylinders secured in an upright position, on a level, non-combustible surface? | <input type="checkbox"/> Have all appliances been approved and do they display a certification badge? |
| <input type="checkbox"/> Are cylinders in a well-ventilated location? | <input type="checkbox"/> Are appliances secured against falling or tipping? |
| <input type="checkbox"/> Are cylinders positioned at least 1.5 m from an ignition source (such as an electric socket or naked flame)? | <input type="checkbox"/> Are appliances clear of combustible/flammable materials (such as cardboard, oil containers, wall partitions)? |
| <input type="checkbox"/> Is test date not more than 10 years ago on LP gas cylinders? | <input type="checkbox"/> Are ring burners secured (or fixed) to a stable, non-combustible base? |
| <input type="checkbox"/> Are any spare cylinders (i.e. not in use) stored externally? | <input type="checkbox"/> Do you have operating instructions for the use of all appliances? |

If in doubt about what to do, contact a licensed gas fitter.

If a gas leak is suspected:

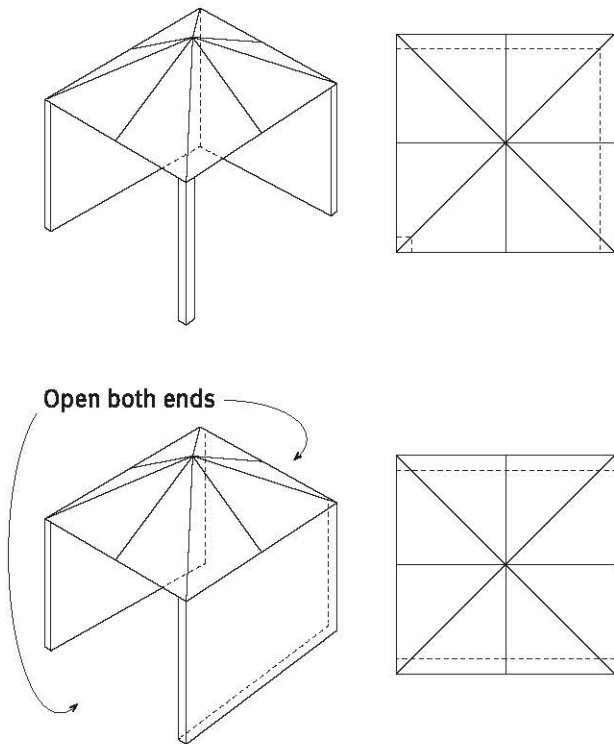
- Turn off gas supply at the appliance.
- Turn off the cylinder.
- Do not use ignition sources (such as mobile phones or lighters).

In an emergency—telephone 000.

Examples of ventilation

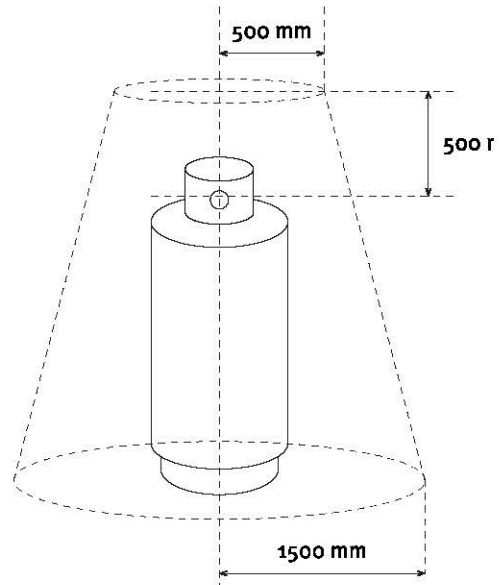
Examples of the minimum ventilation needed when using gas appliances in a 'quasi' outdoor situation.

Outdoor areas must be well ventilated when using gas. These images show that having two sides of the tent/shelter open ensures good cross breeze and ventilation in a quasi-outdoor situation.



Hazardous area

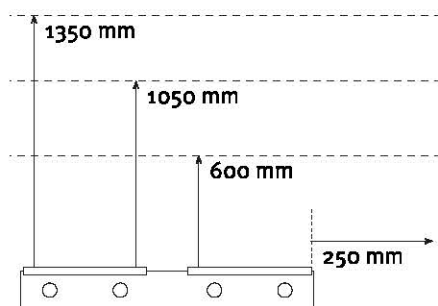
No ignition sources are to be used within these hazardous areas of a cylinder.



Do not use an ignition source within these distances around a gas cylinder.

Clearances from burners

Burners (such as hotplates and deep fryers) should not be placed near combustible surfaces. Use these clearances as a guide to how far away to keep combustible materials.



Chinese cooking tables, griddles, BBQs, chargrills

Hotplates and ranges

Deep fryers and solid grill plates

Any combustible surface (500 mm is recommended for plastic and canvas structures)

Note: This is not a complete guide to LPG safety and compliance. For more information, visit www.dnrm.qld.gov.au or contact the Petroleum and Gas Inspectorate at gassafe@dnrm.qld.gov.au. Other legislative requirements may apply in relation to matters such as food safety and general workplace health and safety.